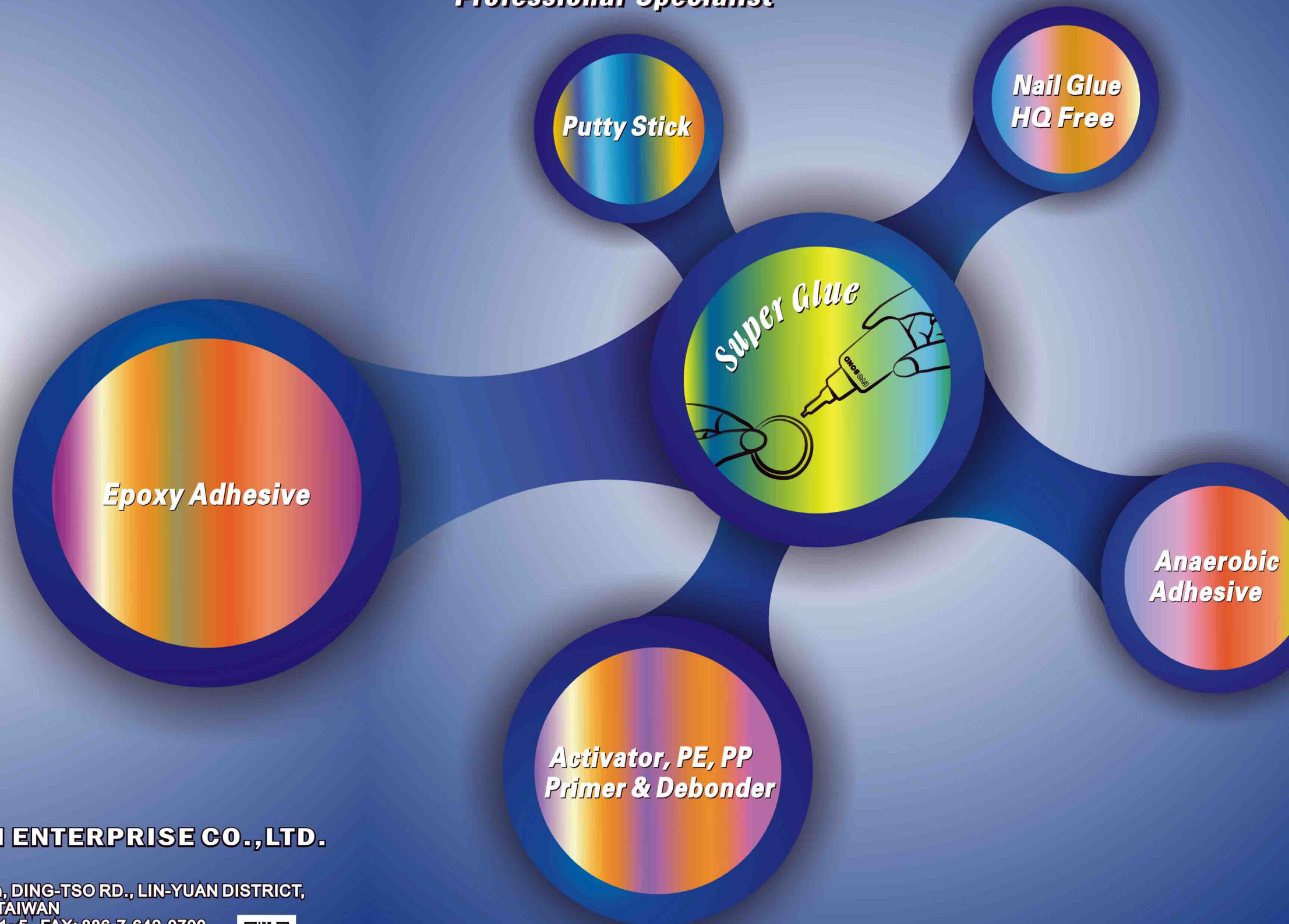


**EVO BOND**

*Cyanoacrylate Adhesives  
Professional Specialist*

**EVO BOND**

*Cyanoacrylate Adhesives  
Professional Specialist*



**TONG SHEN ENTERPRISE CO., LTD.**

TAIWAN:  
NO.116, LANE 130th, DING-TSO RD., LIN-YUAN DISTRICT,  
KAOHSIUNG CITY, TAIWAN  
TEL: 886-7-642-0701~5 FAX: 886-7-642-0700  
E-mail: [evotite@tongshen.com.tw](mailto:evotite@tongshen.com.tw)  
[Http://www.tongshen.com.tw](http://www.tongshen.com.tw)



2015.06

**TONG SHEN ENTERPRISE CO., LTD.**

# NAIL GLUE

## NAIL GLUE SERIES



NG-0501A

NG-0501B

NG-0501C

Nail Gel



NG-02

NG-10

NG-BO series  
(5g, 15g )

NG-I series  
(3g, 15g )

ND-2  
(Remover)

### EOBOND Nail Glue Series (Cyanoacrylate Adhesives) Includes:

- NG-0501A : Single pack brush-on nail glue.
- NG-0501B : Brush-on nail glue, remover.
- NG-0501C : Brush-on nail glue, nail tips, remover and manicure buffer.
- NG-BO SERIES : Brush-on Clear&Pink Nail Glue, Product sizes:5G,15G.
- NG-02, NG-10 : Clear&Pink Nail glue, Product sizes:2G,10G.
- NG-I SERIES : Clear&Pink Nail glue, Product sizes:3G,15G.
- ND-2 : Remover, can remove the artificial nail from the natural nail.
- NAIL GEL : Single pack nail gel.

# CYANOACRYLATE ADHESIVE

## INDUSTRY PRODUCT



SH20-20gA



LH50-50gA



SB20-20gF

SB20-20gA



SH20-20gCF



SA20



SA50



YB500

# CYANOACRYLATE ADHESIVE

## CONSUMER PRODUCT



SG-0201



SG-0301P



SG-0301



SG-0302



SG-0304



SG-0301+



SG-0301 GEL+



SG-0301+AD-1



SG-0301 GEL



SG-0112



SG-0212



SG-0220



SG-0312



SG-0312 GEL

# CYANOACRYLATE ADHESIVE

## CONSUMER PRODUCT



SG-0501F



SG-1001F



SG-2001F



SG-5001F



SG-0236



SG-02X



EB-611  
(GLUE STICK)



EB-312



EB-541



SG-0104A



EB-314



SG-0101



SG-0102



SG-0501BO

## OUR VESSEL

We are sufficiently equipped with highly efficient Injection & Blow Molding machines to produce vessels by ourselves. So all the request for bespoke bottles will find the most satisfaction in Tong Shen's CA vessel & Anaerobic Adhesive vessel, especially for the orders of substantial quantity.

### CYANOACRYLATE ADHESIVE VESSEL



### ANAEROBIC ADHESIVE VESSEL



Color: Red, Yellow, Blue, Black.

## DIRECTIONS

### 1. Surface Treatment:

EVOBOND series demonstrates its full efficiency on thoroughly cleaned surfaces. Therefore, completely removing moisture, oil, rust, mold release agent and other contamination from the surface is the essential factor to ensure satisfactory bonding strength.

### 2. Bonding Method:

Apply only small quantity of EVOBOND series CA product on one of the surfaces to be bonded; lap them together to achieve thin and uniform application. Then fix them securely at the prescribed position. The thinner adhesive application, the stronger bonding strength will be obtained.

## CARE IN HANDLING

### 1. FOR USE

#### a. EYE IRRITANT, BONDS SKIN IN SECONDS

In case of eye contact, the eyes should be copiously flushed with water and then seek for medical aid immediately. When skin contact occurs, the adhesive should be removed by soaking in warm, soapy water or by treatment with solvents such as acetone or nail polish remover.

#### b. DO NOT USE RUBBER OR CLOTH GLOVES.

Rubber gloves will bond when brought in contact with the adhesive and porous cotton gloves will absorb the adhesive and then bond the gloves to the skin and release a lot of chemical reaction heat to cause serious burns.

#### c. When using it in large quantity or over a long period of time, be careful to ensure adequate ventilation in working environment.

#### d. EVOBOND series virtually bonds with all materials except for PP, PE, or Fluoro resin.

### 2. FOR STORAGE

#### a. Keep out of reach of children.

#### b. Keep away from direct sunlight.

#### c. Store in cool and dry place.

#### d. First in and first out.

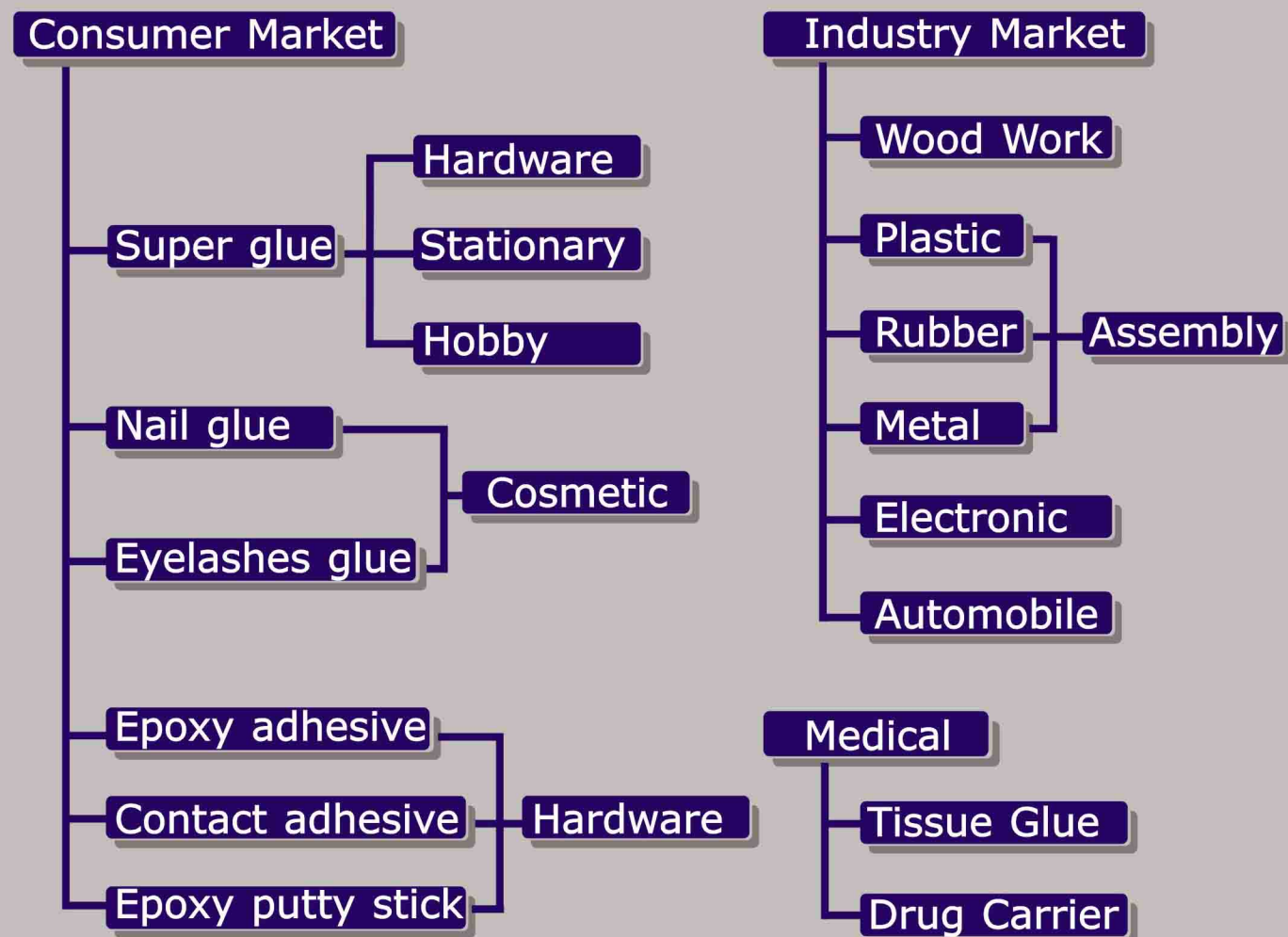
## Disclaimer of Warranties and Liabilities

All the information of the data is provided on the basis in good faith, and is believed to be trustworthy but is for reference only.

Adhesion is very complicated and the result of it is much dependent on the surface material, additives and releasing agents of the substrates. Tong Shen and its agents, dealers, distributors, directors and employees cannot accept any liability for the results whatsoever arising from the use of Tong Shen's products, as the utilization of these products is simply out of Tong Shen's control. The users are responsible for selecting the suitability of the products and methods of use.

**Our product was tested by SGS inspection organization authority and passed RoHS, Halogen, PFOA, PFOS, NP, PAHS, Phthalates (16P) and SVHC(REACH).**

## APPLICATION



**Professional Specialist**  
 Welcome visit our website at  
[www.tongshen.com.tw](http://www.tongshen.com.tw)



### WE BOND:

**ABS, Acrylic, Aluminum, Bakelite, Butyl Rubber, Ceramics, Cellulose Acetate, Chloroprene, Copper, EPDM, Leather, Nature Rubber, NBR, Neoprene, Nylon, Paper, Phenolics, Plated Metals, Polycarbonate, Polyester, Polystyrene, PVC, Polyolefins, SBR, Stainless steel, Polyurethane and Wood.**

**T**ong Shen has been one of the leading cyanoacrylate adhesive manufactures in the world for decades. We have been proudly presenting our quality products, innovative technology and ever upgrading R&D team to all the business partners inland and overseas. Through these partners' satisfaction and recognition, Tong Shen's second factory was successfully installed in China in 1999. Only strong market demands world wide. Thus development of expansion have never been stopped because of market demands getting larger and larger everyday.

Attempting to make EVOBOND the synonym of superexcellence, Tong Shen has been devoting all the enterprising spirit to the field of cyanoacrylate adhesive. Tong Shen provides a broad range of cyanoacrylate adhesives, covering the whole Industry and Consumer markets. Tong Shen also serves delicate blister packs for DIY, Beauty & Hobby application. Tong Shen's professional R & D chemists and engineers will as usual strive to keep EVOBOND to become renowned for the reliable and innovative products.



台山市友顺化工有限公司

**TONG SHEN ENTERPRISE CO.,LTD.**

# CYANOACRYLATE ADHESIVE

# CYANOACRYLATE ADHESIVE

## HIGH PERFORMANCE SERIES CYANOACRYLATE

**EVOBOND** High Performance Series Cyanoacrylate Adhesive is instant bonding single component adhesive that bonds almost all close-fitting smooth surfaces in seconds. It requires no mixing, no heating, and no clamping. Containing no solvent, the adhesive is mild in odor, low toxic and low flammable. Different types of viscosities are available for different applications. Low viscosity product features good penetration for fitting smooth surfaces, while high viscosity product provides outstanding adhesion for porous surfaces. THIXOTROPIC GEL is especially for vertical and porous surface application, which will not migrate and can be cured better with EVOBOND ACTIVATOR.

### F SERIES-FAST SETTING VELOCITY & MEDIUM STRENGTH

Applications Woodwork, plastic, rubber and especially for acidic woods.

Grade	Chemical Type	Viscosity (CPS)	Gap Fill (mm)	Setting Velocity (Sec.)	Shelf life (Month)	Tensile-Shear Strength (kgf/cm <sup>2</sup> )
W-20	ETHYL	2-3	0.04	5	6	100~160
FV-50	ETHYL	50	0.06	15	6	100~160
FV-100	ETHYL	100	0.10	15	6	100~160
FV-300	ETHYL	300	0.15	15	6	100~160
FV-1500	ETHYL	1500	0.20	15	6	100~160
F-GEL	ETHYL	GEL	1	20	6	120~220

\*Temperature Range: -55~82° C

### M SERIES-MEDIUM SETTING VELOCITY & HIGH STRENGTH

Applications Metal, plastic, rubber, especially for metal.

Grade	Chemical Type	Viscosity (CPS)	Gap Fill (mm)	Setting Velocity (Sec.)	Shelf life (Month)	Tensile-Shear Strength (kgf/cm <sup>2</sup> )
W-50	ETHYL	2-3	0.04	10	12	120~200
V-50	ETHYL	50	0.06	20	12	120~200
V-100	ETHYL	100	0.10	20	12	120~200
V-300	ETHYL	300	0.15	20	12	120~200
HV-10	ETHYL	1000	0.20	30	10	120~200
HV-15	ETHYL	1500	0.20	30	10	120~220
GEL	ETHYL	GEL	1	30	12	120~220
W-70	ETHYL	2-3	0.04	15	14	120~200
V-50AL	ETHYL	50	0.06	20	14	120~200
K-2	ETHYL	2-3	0.04	15	10	120~200

**V-50AL:** It is formulated specially for aluminum tube and general purposes for consumer market.

**K-2:** It is Ethyl-based, low blooming cyanoacrylate adhesive.

\*Temperature Range: -55~82°C

\*All shelf life test is under 20g HDPE bottle, 22°C, 50%RH

## SURFACE INSENSITIVE SERIES CYANOACRYLATE

**S-series** is of ultra-fast setting velocity cyanoacrylate that bonds acidic, insensitive surfaces and porous substrates even under low humidity condition. It is broadly applied on wood, leather, cardboard and plasticized PVC materials.



Grade	Chemical Type	Viscosity (CPS)	Gap Fill (mm)	Setting Velocity (Sec.)	Shelf life (Month)	Tensile-Shear Strength (kgf/cm <sup>2</sup> )
S-2	ETHYL	2-3	0.04	0-5	4	100~140
S-20	ETHYL	20	0.05	0-10	4	100~140
S-100	ETHYL	100	0.10	0-10	4	100~140
S-300	ETHYL	300	0.15	0-10	4	100~140
S-1500	ETHYL	1500	0.20	0-15	4	100~140

\*Temperature Range: -55~82° C

## RUBBER TOUGHNESS SERIES CYANOACRYLATE



**T-series** is in black color and medium setting velocity that has outstanding resistance to impact, vibration, humidity and high temperature.

**CT-series** is in clear color and medium setting velocity that has excellent resistance to impact, vibration, humidity, and high temperature.

Grade	Chemical Type	Viscosity (CPS)	Gap Fill (mm)	Setting Velocity (Sec.)	Shelf life (Month)	Tensile-Shear Strength (kgf/cm <sup>2</sup> )
T-1	ETHYL	300	0.15	20-30	6	150~220
T-2	ETHYL	1500	0.20	30-40	6	150~220
T-3	ETHYL	2500	0.30	30-40	6	150~220
T-4	ETHYL	3300	0.30	30-40	6	150~220
CT-1	ETHYL	300	0.15	20-30	6	150~220
CT-2	ETHYL	1500	0.20	30-40	6	150~220
CT-4	ETHYL	3300	0.30	30-40	6	150~220

\*Temperature Range: -55~105° C

# CYANOACRYLATE ADHESIVE

## SPECIAL INDUSTRY SERIES CYANOACRYLATE

EVOBOND Special Industry Series cyanoacrylate is especially formulated for industry applications, including high performance, surface insensitive, and rubber toughness CA grades.



### SURFACE INSENSITIVE SERIES

It is of quick setting velocity and medium viscosity that bonds acidic and porous substrates even under low humidity condition; it can be applied on wood, leather, rubber, cardboard, woven fabric and PVC materials.

Grade	Chemical Type	Viscosity (CPS)	Gap Fill (mm)	Setting Velocity (Sec.)	Shelf life (Month)	Tensile-Shear Strength (kgf/cm <sup>2</sup> )
E401	ETHYL	100	0.10	10	8	100~160
E424	ETHYL	100	0.10	10	8	100~160
E406	ETHYL	20	0.05	10	8	100~160
E454	ETHYL	Thixo Gel	1	20	8	120~220

\*Temperature Range: -55~82°C

### BLACK RUBBER TOUGHNESS SERIES

It is of black color, medium setting velocity and flexible for high temperature and impact resistance.

Grade	Chemical Type	Viscosity (CPS)	Gap Fill (mm)	Setting Velocity (Sec.)	Shelf life (Month)	Tensile-Shear Strength (kgf/cm <sup>2</sup> )
E480	ETHYL	300	0.15	20-30	6	150~220
E380	ETHYL	450	0.15	20-30	6	150~220
E4101	ETHYL	1500	0.20	30-40	6	150~220
E4102	ETHYL	2500	0.30	30-40	6	150~220
E410	ETHYL	3300	0.30	30-40	6	150~220
E426	ETHYL	GEL	1	40-50	6	150~220
E4261	METHOXY-ETHYL	GEL	1	50-60	6	100~180

\*Temperature Range: -55~105°C

### CLEAR RUBBER TOUGHNESS SERIES

It is of clear color, medium setting velocity and flexible for high temperature and impact resistance.

Grade	Chemical Type	Viscosity (CPS)	Gap Fill (mm)	Setting Velocity (Sec.)	Shelf life (Month)	Tensile-Shear Strength (kgf/cm <sup>2</sup> )
E407	ETHYL	50	0.06	20-30	8	150~220
E498	ETHYL	450	0.15	20-30	8	150~220
E411	ETHYL	6000	0.40	30-40	8	150~220

\*Temperature Range: -55~105°C

# CYANOACRYLATE ADHESIVE

## METAL ADHESION SERIES

Grade	Chemical Type	Viscosity (CPS)	Gap Fill (mm)	Setting Velocity (Sec.)	Shelf life (Month)	Tensile-Shear Strength (kgf/cm <sup>2</sup> )
E493	METHYL	1~2	0.04	10-20	6	150~250
E430	METHYL	80	0.08	10-20	6	150~250
E496	METHYL	120	0.10	10-20	6	150~250
E415	METHYL	1500	0.20	10-20	6	150~250

\*Temperature Range: -55~82°C

## LOW ODOR LOW BLOOMING SERIES

Grade	Chemical Type	Viscosity (CPS)	Gap Fill (mm)	Setting Velocity (Sec.)	Shelf life (Month)	Tensile-Shear Strength (kgf/cm <sup>2</sup> )
E408	METHOXY-ETHYL	5-7	0.04	20-30	6	100~150
E460	METHOXY-ETHYL	50	0.06	20-30	6	100~150
E403	METHOXY-ETHYL	1500	0.20	20-30	6	100~150
E455	METHOXY-ETHYL	GEL	1	40-50	6	120~160

\*Temperature Range: -55~72°C

## HIGH PERFORMANCE SERIES

Grade	Chemical Type	Viscosity (CPS)	Gap Fill (mm)	Setting Velocity (Sec.)	Shelf life (Month)	Tensile-Shear Strength (kgf/cm <sup>2</sup> )
E420	ETHYL	2-3	0.04	10	12	120~200
E495	ETHYL	50	0.06	20	12	120~200
E431	ETHYL	1000	0.20	20	10	120~220
E416	ETHYL	1500	0.20	20	10	120~220
E422	ETHYL	2500	0.25	15-30	10	120~220
E409	ETHYL	GEL	1	30	12	120~220

\*Temperature Range: -55~82°C

## TEMPERARY ADHESION SERIES

Grade	Chemical Type	Viscosity (CPS)	Gap Fill (mm)	Setting Velocity (Sec.)	Shelf life (Month)	Tensile-Shear Strength (kgf/cm <sup>2</sup> )
E412	ETHYL	2-3	0.04	15-30	10	30~40
E417	ETHYL	2-3	0.04	15-30	10	30~40

\*Temperature Range: -55~72°C

## HIGH TEMPERATURE RESISTANCE SERIES

Grade	Chemical Type	Viscosity (CPS)	Gap Fill (mm)	Setting Velocity (Sec.)	Shelf life (Month)	Tensile-Shear Strength (kgf/cm <sup>2</sup> )
E4201	ETHYL	20	0.05	30-40	6	150~220
E4210	ETHYL	800	0.20	30-40	6	150~220
E4212	ETHYL	GEL	1	30-40	6	150~220
E499	ETHYL	GEL	1	30-40	6	150~220

E4201, E499: Clear color; E4210, E4212: Black color

\*Temperature Range: -55~110°C

# CYANOACRYLATE ADHESIVE

## METHYL, BUTYL CYANOACRYLATE SERIES

EVOBOND Methyl cyanoacrylate adhesive offers high strength bonds on metal.

**ME-2** Low viscosity(1-2cps)methyl cyanoacrylate; it is quick setting velocity and excellent penetration.

**ME-50** Medium viscosity (50 cps) methyl cyanoacrylate; it is quick setting velocity and high strength for bonding metals.

**ME-100** Medium viscosity (120 cps) methyl cyanoacrylate; it is quick setting velocity and high strength for bonding metals.

EVOBOND Butyl cyanoacrylate adhesive offers flexible, low odor and low blooming adhesions for metal, plastic, rubber as well as cosmetic applications.

**B-60** It is low viscosity (2-3cps) and quick setting velocity.

**B-460** It is medium viscosity (50 cps) and quick setting velocity.

## METHOXY-ETHYL, OCTYL CYANOACRYLATE SERIES

EVOBOND Methoxy-ethyl Cyanoacrylate adhesive features low odor and low blooming qualities for metal, plastic and elastomer adhesions and is widely applied in cosmetic field.

**MO-460** It is low odor and low blooming with medium viscosity(50cps)and medium setting velocity.

EVOBOND Octyl Cyanoacrylate adhesive features flexible, low odor and very low blooming qualities for metal, plastic and elastomer adhesions and is widely applied in cosmetic field.

**O-60** It is low viscosity (6-7 cps) and medium setting velocity.

Grade	Chemical Type	Viscosity (CPS)	Gap Fill (mm)	Setting Velocity (Sec.)	Shelf life (Month)	Tensile-Shear Strength (kgf/cm <sup>2</sup> )	Temperature Range (°C)
ME-2	METHYL	1.5-3	0.04	5	6	150~250	-55~82°C
ME-50	METHYL	50	0.06	10	6	150~250	-55~82°C
ME-100	METHYL	120	0.10	15	6	150~250	-55~82°C
B-60	BUTYL	2-4	0.04	15	8	100~150	-55~75°C
B-460	BUTYL	50	0.06	30	8	100~150	-55~75°C
MO-460	METHOXY-ETHYL	50	0.06	20	6	100~150	-55~72°C
O-60	OCTYL	6-7	0.05	40	8	60~100	-55~72°C

# CYANOACRYLATE ADHESIVE

## FULLSTOFF (GLASS BEAD FILLER) SERIES

Cyanoacrylate adhesives with glass power curing in few seconds, which is ideal for bonding and filling cracks, holes, gaps, joint and flat for uneven surface.

Grade	Chemical Type	Viscosity (CPS)	Gap Fill (mm)	Setting Velocity (Sec.)	Shelf life (Month)	Tensile-Shear Strength (kgf/cm <sup>2</sup> )
W-503B	ETHYL	2-3	0.04	10-40	9	100~200
W-504B	ETHYL	10	0.05	10-40	9	100~200
W-505B	ETHYL	20	0.05	10-40	9	100~200
W-506B	ETHYL	100	0.10	10-40	9	100~200

\*Temperature Range: -55~82°C

## COSMETIC SERIES

EVOBOND Ethyl Cyanoacrylate Adhesive(HQ Free, Phthalates 16P Free) which is ideal for nail glues.

Grade	Chemical Type	Viscosity (CPS)	Gap Fill (mm)	Setting Velocity (Sec.)	Shelf life (Month)	Tensile-Shear Strength (kgf/cm <sup>2</sup> )
EC601-HF	ETHYL	2-3	0.04	20-30	8	100~150
V-50AL-TST-NL	ETHYL	50	0.06	20-30	8	100~150
V-100AL-TST-NL	ETHYL	100	0.10	20-30	8	100~150

\*Temperature Range: -55~82°C

## CONSTRUCTION SERIES

Fitting of trims in kitchen and bedroom, wood, metal, most plastics and glass assembly where its instant bonding properties dramatically reduce assembly time of mitre joints when comparing with conventional wood adhesives.

**EVOBOND MITRE KIT** is a two-part instant adhesive system, which is consisting of 50g cyanoacrylate adhesive and 200ml aerosol activator for making rapid, clean and strong joints on woods(including MDF), rubbers, PVCu, metals and most plastics.



MITRE KIT



MDF KIT

**EVOBOND MDF KIT** is specially designed for the use of MDF (Medium Density Fiberboard) cornice. It is comprised of a 50g cyanoacrylate adhesive and 200ml aerosol activator.

# CYANOACRYLATE ADHESIVE

## ACTIVATOR, PE, PP PRIMER & DEBONDER

- AF-1** Solvent-based activator for accelerating cyanoacrylate adhesive curing velocity.
- AF-2** Solvent-based activator for accelerating cyanoacrylate adhesive curing velocity.
- AF-3** Solvent-based activator for accelerating cyanoacrylate adhesive curing velocity.
- AP-1** Solvent-based primer that can handle difficult-to-bond surfaces, such as PE, PP, silicone rubber, TPR, EPDM... etc. It is recommended to use with EVOBOND cyanoacrylate adhesive.
- AD-1** Debonder is especially for removing cured cyanoacrylate adhesive from skin, products, or assembly tool. AD-1 does not etch most plastics or paints; yet it's better to test a small area before applying.
- AD-2** Debonder is especially for removing cured cyanoacrylate adhesive from skin, products, or assembly tool. AD-2 does not etch most plastics or paints; yet it's better to test a small area before applying.
- AD-3** Debonder is especially for removing cured cyanoacrylate adhesive from skin, products, or assembly tool. AD-3 does not etch most plastics or paints; It is Gel; yet it's better to test a small area before applying.

## ACTIVATOR, PE, PP PRIMER, & DEBONDER

Item No.	Specific Gravity	Viscosity	Flash Point	Dry time
AF-1	0.7	1.1CPS	-1°C	40sec.
AF-2	0.8	1.1CPS	12°C	80sec.
AF-3	0.79	1.1CPS	-17°C	30sec.
AP-1	0.7	1.1CPS	-1°C	40sec.
AD-1	1.14	2~3CPS	35°C	120sec.
AD-2	1.2	3~5CPS	130°C	2hr.
AD-3	1.238	THIXO GEL	130°C	2hr.



AF-1



AP-1



AD-1/AD-2

# ANAEROBIC ADHESIVE

## EVOBOND ANAEROBIC ADHESIVE

EVOBOND high performance anaerobic adhesive is a single component adhesive and cures in the absence of air. EVOBOND anaerobic also cures to form a rigid and durable film to prevent loosening out of vibration and leakage out of corrosion. The main features of EVOBOND anaerobic are thread locking, sealing and retaining the metal parts.



### THREAD LOCKING SERIES

- AA1222** Low strength and thixotropic viscosity, in purple color. Suitable for small screw, and removable with hand tools.
- AA1242** Medium strength and thixotropic viscosity, in blue color. Applications are locking screws and bolts; prevent corrosion and leakage and easy to disassemble.
- AA1243** Medium strength and thixotropic viscosity, in blue color. Good resistance to fuel environment, prevent corrosion and leakage and easy to disassemble.
- AA1262** High strength and thixotropic viscosity, in red color. Applications are for thread locking and retaining of nuts and bolts. It is removable by normal tool.
- AA1263** High strength and thixotropic viscosity, in red color. Using for the permanent locking and sealing of threaded fasteners, large bolts and studs. Prevent loosening and leakage from shock and vibration.
- AA1270** High strength and low viscosity, in green color. Ideal for the parts and threaded fasteners on permanent locking and sealing.
- AA1271** Permanent strength and medium viscosity anaerobic thread locking, in red color. Applications are preventing corrosion and retaining leakage.
- AA1272** Permanent strength and medium viscosity anaerobic thread locking with high temperature resistance, in red color. Ideal for preventing corrosion and retaining leakage.
- AA1277** High strength and medium viscosity anaerobic thread locking, in red color. Ideal for preventing corrosion and retaining leakage.
- AA1290** High strength, low viscosity and easy penetrating, in green color. Ideal for post assembly.

### THREAD LOCKING SERIES

Grade	Color	Viscosity(CPS) GB/T2794-1995	Density (g/cm <sup>3</sup> )	Max. Gap Fill (mm)	Breakaway Torque (N.m)	Breakloose Torque (N.m)	Work Temp. (°C)	Fixing time (min)	Full Curing Time (h)
AA1222	Purple	1200/thixotropic	1.05	0.12	5.0	3.2	-60 ~ 150	10 ~ 15	24
AA1242	blue	1400/thixotropic	1.06	0.12	8.0	4.0	-60 ~ 150	10 ~ 20	24
AA1243	blue	2000/thixotropic	1.09	0.15	14.0	8.0	-60 ~ 150	10 ~ 20	24
AA1262	red	1400/thixotropic	1.10	0.15	21.0	16.0	-60 ~ 150	10 ~ 20	24
AA1263	red	400-600	1.10	0.10	32.50	25.0	-55 ~ 150	10 ~ 20	24
AA1270	green	600	1.10	0.13	30.0	25.0	-60 ~ 150	10 ~ 20	24
AA1271	red	500	1.10	0.10	32.5	25.0	-60 ~ 150	10 ~ 20	24
AA1272	red	7000/thixotropic	1.15	0.25	26.0	25.0	-60 ~ 230	10 ~ 20	24
AA1277	red	7000	1.13	0.25	30.0	25.0	-60 ~ 150	20 ~ 60	24
AA1290	green	40	1.07	0.10	22.0	20.0	-60 ~ 150	10 ~ 15	24

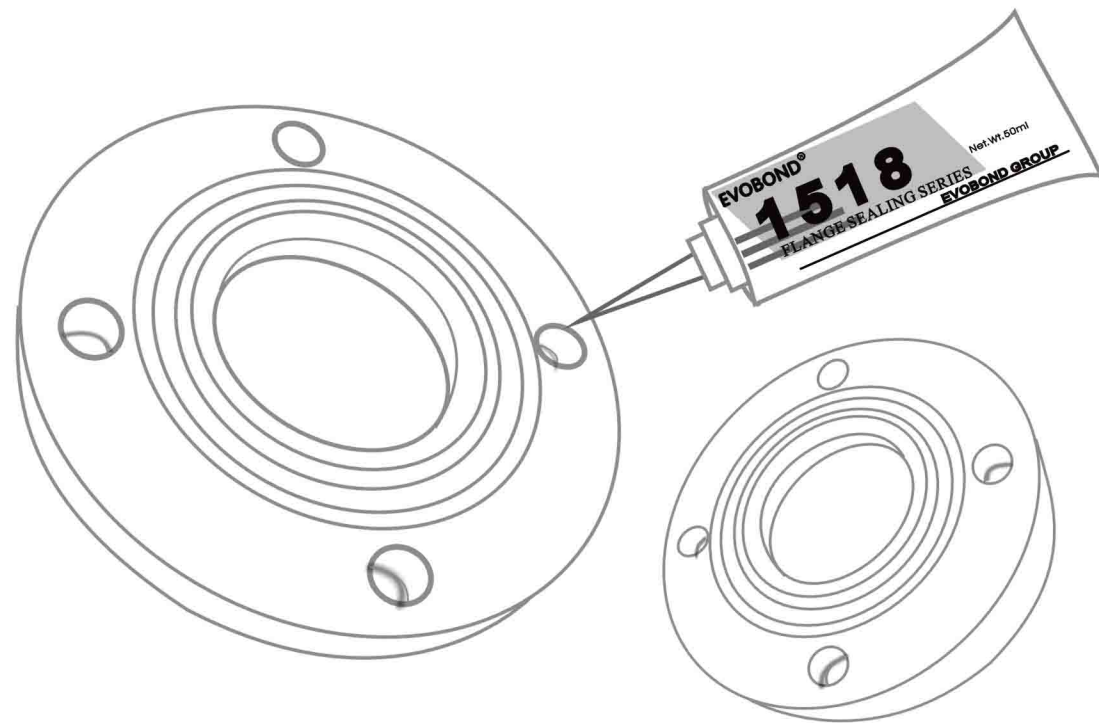
# ANAEROBIC ADHESIVE

## FLANGE SEALING SERIES

- AA1510** Allows to work under temperature up to 200°C and facilitate screening, chemical resistance and rigid gasket. Ideally designed for perfect load transfer and stress distribution across flanges. Allows clamping loads to ensure no leak of assembly with fill gap of 0.25mm.
- AA1515** Universal grade for general purposes. Will perform a flexible gasket sealant which can tolerate flange movements caused by vibrations. Very high viscosity enables to work on vertical surfaces without dripping.
- AA1518** Will form a flexible gasket sealant and conform to the rough surfaces caused by tool marks on flanges. Allows an aluminum alloy coating to fit the metal part without re-torque on mechanical gaskets. The joint parts of integrity can be easily disassembled after having been tightly sealed.

## FLANGE SEALING SERIES

Grade	Color	Viscosity(CPS) GB/T2794-1995	Density (g/cm <sup>3</sup> )	Gap Fill (mm)	Work Temp. (°C)	Fixing time (min)	Full Curing Time (h)
AA1510	Pink	40000~140000	1.10	0.25	-60~204	5~10	24
AA1515	Mauve	150000~375000	1.10	0.25	-60~150	5~10	18
AA1518	Red	500000~1000000	1.10	0.25	-60~150	5~10	24



# ANAEROBIC ADHESIVE

## SEALING SERIES

- AA1542** Medium strength and medium viscosity. Suitable for locking and sealing the general metal pipes and fittings.
- AA1567** Medium strength and non-migration. Ideal for general purposes of pipe sealing in hydraulic and pneumatic systems. Suitable for general taps and straight thread pipes, instant seal and allow easy disassembly.
- AA1577** High strength and ideal for general-purpose pipe fitting, resistant to rough environment sealing and corrosion preventing.

## SEALING SERIES

Grade	Color	Viscosity(CPS) GB/T2794-1995	Density (g/cm <sup>3</sup> )	Max. Diameter that can be sealed	Average Disassemble Torque (N.m)	Max. Sealing Pressure (Mpa)	Work Temp. (°C)	Fixing time (min)	Full Curing Time (h)
AA1542	Brown	600/thixotropic	1.07	--	--	--	-60~150	15	24
AA1567	White	100000/thixotropic	1.17	M80	2.0	71.0	-60~210	120	24
AA1577	Yellow	20000/thixotropic	1.09	M80	6.0	70.5	-60~150	15	24



# ANAEROBIC ADHESIVE

# UV CURING ADHESIVE

## RETAINING SERIES

<b>AA1603</b>	Low viscosity and quick setting fixtures. Tolerant toward slight oil and other contamination.
<b>AA1609</b>	High strength and low viscosity for fastening and retaining. Ideal for multi-purpose retaining and fitting. The gap filling is up to 0.1mm, special for watch retaining.
<b>AA1620</b>	High strength, high viscosity and high temperature (232°C). Ideal for multi-purpose retaining and fitting, special for retaining valve seats.
<b>AA1638</b>	Maximum strength, medium viscosity and quick setting fixtures. Ideal for retaining cylindrical assemblies.
<b>AA1641</b>	Medium strength, disassembled by hand tool. Prevent loosening and leakage from shock and vibration. Ideal for retaining cylindrical assemblies.
<b>AA1648</b>	High strength and low viscosity. Ideal for bonding cylindrical assemblies, and suitable for gap filling up to 0.15mm.
<b>AA1660</b>	High strength, high viscosity and quick setting. Ideal for repairing worn machine parts, and suitable for gap filling up to 0.5mm.
<b>AA1680</b>	High strength and medium viscosity. Ideal for multi-purpose retaining, repairing, and suitable for gap filling up to 0.25mm.

## RETAINING SERIES

Grade	Color	Viscosity(CPS) GB/T2794-1995	Density (g/cm <sup>3</sup> )	Max. Gap Fill (mm)	Lap-Shear strength after curing (MPa) GB/T7124-1986	Work Temp. (°C)	Fixing time (min)	Full Curing Time (h)
AA1603	Green	150	1.08	0.10	16.0	-55~150	10	24
AA1609	Green	150	1.08	0.10	16.0	-60~150	10	24
AA1620	Green	7000	1.13	0.25	16.0	-60~230	15	24
AA1638	Green	2500-3000	1.13	0.20	21.0	-55~150	10	24
AA1641	Yellow	700	1.07	0.20	6.5	-50~150	17	24
AA1648	Green	500	1.10	0.15	20.0	-60~175	10	24
AA1660	Argentine	Gel	1.15	0.50	7.0	-60~230	10	24
AA1680	Green	1400	1.11	0.20	21.0	-60~150	10	24

## EVOBOND UV CURING ADHESIVE

EVOBOND UV CURING ADHESIVES are professional adhesives for bonding all kinds of transparent substance such as glass, crystal, metal, and so on.

Grade	CPS	Shore	Substrates	Feature
T-8102	60	D76	Glass to Crystal	Low viscosity, enable to work on big area of glass
T-8058	5200	D60	Glass to Crystal	Medium viscosity, impact resistance and water proof after cured
T-8086	7600	D71	Glass to Glass	Medium viscosity, water proof after cured
T-8084	20000	D71	Glass to Glass	High viscosity, water proof after cured, ideal for LCD sealing
T-8089	200	D58	Glass to Metal	Low viscosity, enable to work on big area of glass furniture and hardware
T-8390	1000	D73	Glass to Metal	Low viscosity, high strength, enable to work on big area of glass
T-8085	6300	D72	Glass to Metal	Medium viscosity, high strength, ideal for glass and metal adhesion
T-8103	1200	D52	Acrylic to Acrylic	Low viscosity, cured by visible light, water proof after cured
T-8323	4000	D68	Acrylic to Acrylic	Medium viscosity, cured by visible light, universal grade for plastic adhesion
T-8345	9000	D64	Acrylic to Acrylic	Medium viscosity, cured by visible light, universal grade for plastic adhesion
T-8103-2	1200	D52	Color Acrylic to Color Acrylic	Low viscosity, cured by visible light, water proof after cured
T-8244	50	D64	PVC to Acrylic	Low viscosity, cured by visible light, fast cured
T-8246	100	D50	PVC to Acrylic	Low viscosity, cured by visible light, universal grade for plastic adhesion
T-8221	1050	D54	PVC to Acrylic	Medium viscosity, cured by visible light, transparent after cured Ac1036 (special primer for nylon) can be applied firstly when bonded Nylon
T-8333	9000	D75	Glass to Plastic	Medium viscosity, ideal for glass to plastic



# EPOXY ADHESIVE

## EVOBOND EPOXY ADHESIVE

### 5 MINUTES STEEL FILLER EPOXY COMPOUND (EV-5, ES-56)

Cures and joins things together by a chemical reaction between the resin and hardener. It offers good bonding strength and will harden in approx. 5 minutes and achieve its full strength after 8 hours. It is versatile, shock resistant and tolerant to most fuels and solvents. Ideal application includes repair of wide range materials including metals, wood, concrete, ceramic and etc. It can cure to a tough, steel-filled materials that can be drilled, tapped and sanded.

### 30 MINUTES CLEAR EPOXY COMPOUND (EV-830)

30 Minutes Clear Epoxy Compound are two components, non sag, colourless epoxy which cures rapidly to a high hardness epoxy with excellent adhesion to varieties of materials. Ideal for applications to wood, metal, fiberglass, ceramic, glass and other hard plastics. Specially designed to bond and repair a wide range of substances.

### 4 MINUTES CLEAR EPOXY COMPOUND (EV-804,804-12,ES-805,ES-8046)

4 Minutes Clear Epoxy Compound are two components, non sag, colourless epoxy which cures rapidly to a high hardness epoxy with excellent adhesion to varieties of materials. Ideal for applications to wood, metal, fiberglass, ceramic, glass and other hard plastics. Specially designed to bond and repair a wide range of substances.



### DIRECTIONS

1. Surfaces must be clean, dry and thoroughly roughen.
2. Remove caps, pierce end of tubes. Squeeze equal amount of resin and hardener from each tube. Ratio 1:1
3. MIX THOROUGHLY until consistent crystal clear color mixture.
4. Apply to the surfaces to be repaired or joined together.

**Note:**  
 1. Not recommended to use above 100°C. If temperature is below 15°C, the hardening time is considerably longer.  
 2. If it is used under low temperature, it takes a longer time to cure; or if the hardener is hardened before using, soften it by hair drier for few minutes.

# PUTTY STICK

## EVOBOND PUTTY STICK

EVOBOND PUTTY STICK is easy by hand to knead, mix 1-2 minutes directly and can be applied to urgent repair, fast bonding, and rebuilding of shape, that can be drilled, tapped and sanded. It works on most materials such as metal, ceramics, stone, wood, concrete, glass fiber and rigid plastics.



Grade	Specification	Application
PT-1S	AQUA Base	Polymer putty for wet surfaces.
PT-2S	EPOXY Base	Epoxy compound for general purposes.
PT-3S	METAL Base	Steel reinforced polymer putty for vehicle parts, stainless steel metal parts and pipes, etc.
PT-4S	WOOD Base	Epoxy compound for filling, repair and sealing of various wooden product.
PT-5S	COPPER Base	Epoxy compound, suitable for filling, repair and sealing of various copper made materials.
PT-6S	ALUMINIUM Base	Epoxy compounds, specially designed to repair, seal and strengthen aluminium made materials.

(Product Sizes: 20g,50g,114g,125g)

**Note:** If it is used under low temperature, it takes a longer time to cure; or if the putty is hardened before using, soften it by hair drier for few minutes.

## EVOBOND EYELASH GLUE SERIES

All series are special for eyelash adhesion and decoration. The outstanding formula with options in black and transparent colors for extension artificial eyelash, especially EG-R2, EG-R4, EG-R5 & EG-R6 which are of low odor characteristic.

Grade	Color	Viscosity (CPS)
EG-R1	Black	1800cps
EG-R2	Black	800cps
EG-R3	Clear	1500cps
EG-R4	Clear	1500cps
EG-R5	Black	1500cps
EG-R6	Clear	50cps



(Product Sizes: 5g,10g)